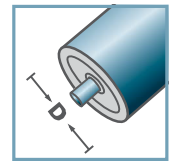
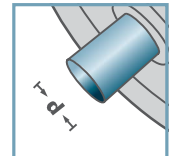


MTR-16



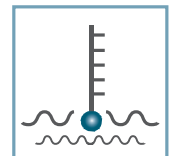
D [mm]
30



d [mm]
6; 8; 10



C [daN]
30



T [°C]
-45° - 100°



Oil



Carton [pcs.]

500

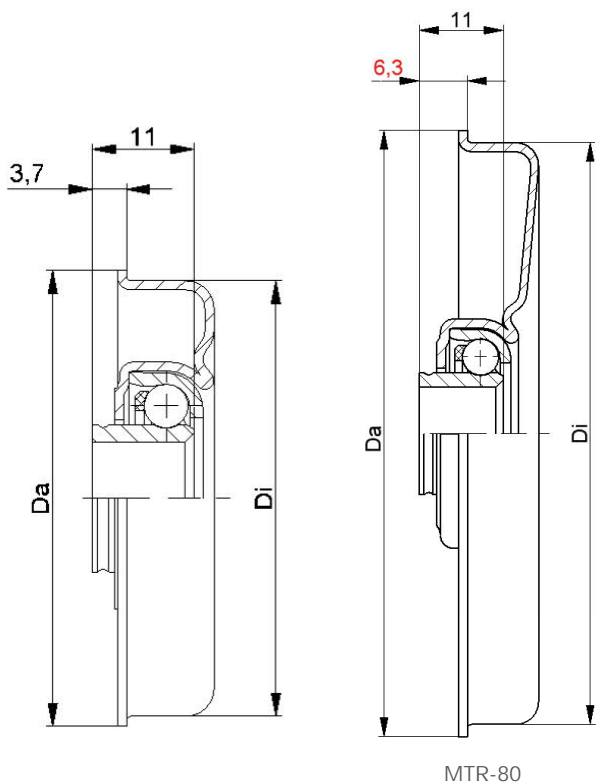
MTR-16			
Type	Di ±0.1	Da ±0.2	Load Rating C [daN]
MTR-30x1,2.16	27,6	29,6	30
MTR-30x1,5.16	27,3	29,6	30

Other dimensions on request!

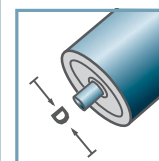
- ☛ Housing: Steel, Zinc plated
- ☛ Bearing RL-16
 - ☛ Bearing Shell: Steel, Hardened
 - ☛ Inner Race: Steel, Hardened, Zinc plated
 - ☛ Ball Cage: Plastic
 - ☛ Ball: Steel



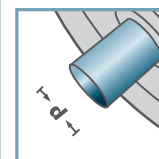
MTR



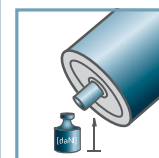
MTR-20



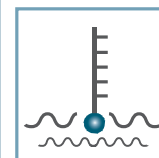
D [mm]
40 - 80



d [mm]
8; 10; 12; SW11



C [daN]
80



T [°C]
-45° - 100°



Oil



Carton [pcs.]

ø40: 250
ø48: 100/350
ø50: 100/350
ø60: 200
ø80: 100

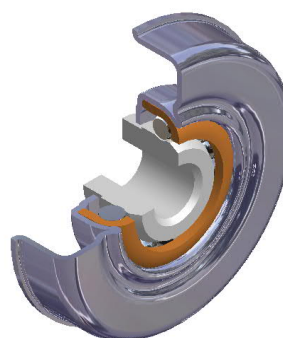
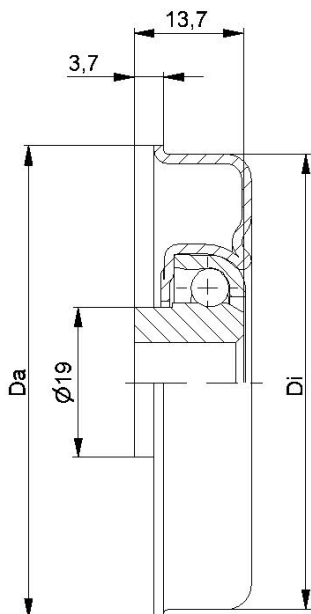
MTR-20			
Type	Di ±0.1	Da ±0.2	Load Rating C [daN]
MTR-40x1,5.20	37,3	39,5	80
MTR-40x2,0.20	36,3	39,5	80
MTR-48x1,5.20	45,3	47,5	80
MTR-50x1,5.20	47,3	49,5	80
MTR-50x2,0.20	46,3	49,5	80
MTR-60x1,5.20	57,3	59,5	80
MTR-60x2,0.20	56,3	59,5	80
MTR-80x2,0.20	76,4	79,5	80

Other dimensions on request!

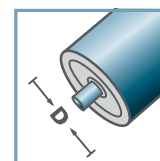
- ☛ Housing: Steel, Zinc plated
- ☛ Bearing RL-20
 - ☛ Bearing Shell: Steel, Hardened
 - ☛ Inner Race: Steel, Hardened, Zinc plated
 - ☛ Ball Cage: Plastic
 - ☛ Ball: Steel



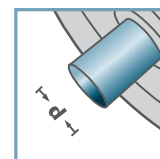
MTR



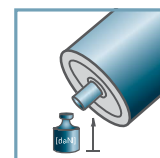
MTR-30-2



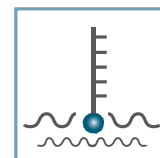
D [mm]
50 - 80



d [mm]
10;12; 14; 15;
SW11



C [daN]
120



T [°C]
0° - 100°



EP 0



Carton [pcs.]

ø50: 300
ø60: 200
ø80: 100

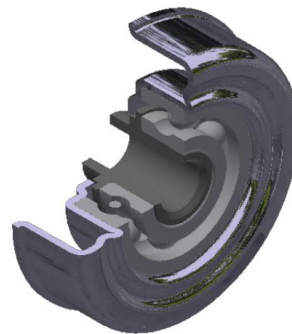
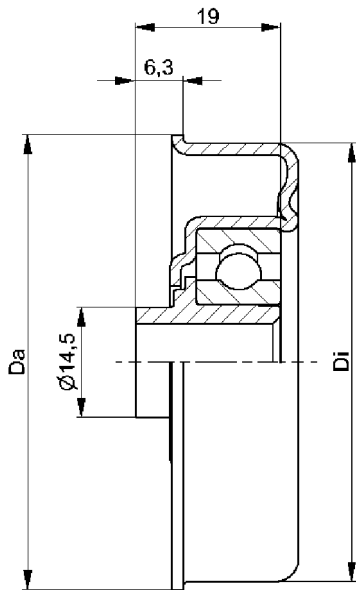
MTR-30-2			
Type	Di ±0.1	Da ±0.2	Load Rating C [daN]
MTR-50x1,5.30-2	47,3	49,5	120
MTR-50x2,0.30-2	46,3	49,5	120
MTR-60x1,5.30-2	57,3	59,5	120
MTR-60x2,0.30-2	56,3	59,5	120
MTR-80x2,0.30-2	76,4	79,5	120

Other dimensions on request!

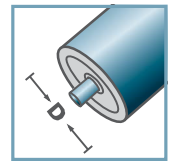
- ☛ Housing: Steel, Zinc plated
- ☛ Bearing RL-30-2
 - ☛ Bearing Shell: Steel, Hardened
 - ☛ Inner Race: Steel, Hardened
 - ☛ Ball: Steel



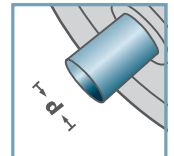
MTR



MTR-40



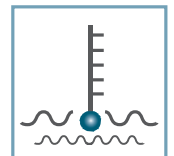
D [mm]
50 - 80



d [mm]
10; 12; SW11



C [daN]
120 - 150



T [°C]
0° - 80°



EP 2



Carton [pcs.]

ø50: 100
ø60: 150
ø80: 100

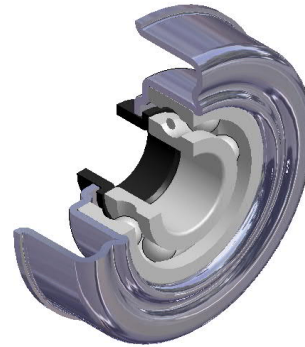
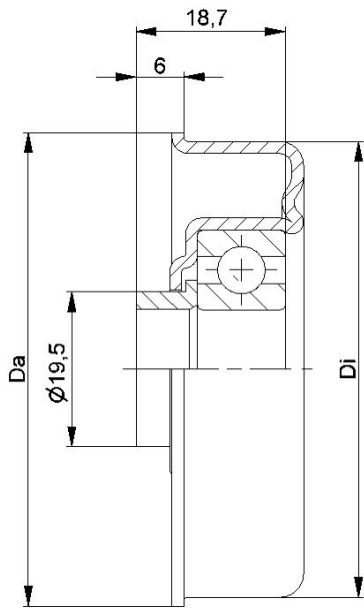
MTR-40			
Type	Di ±0.1	Da ±0.2	Load Rating C [daN]
MTR-50x1,5.40	47,3	49,5	120
MTR-50x2,0.40	46,3	49,5	120
MTR-60x1,5.40	57,3	59,5	150
MTR-60x2,0.40	56,3	59,5	150
MTR-60x3,0.40	54,3	59,5	150
MTR-80x2,0.40	76,5	79,5	150

Other dimensions on request!

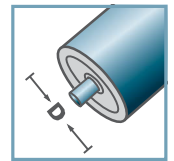
- ☛ Housing: Steel, Zinc plated
- ☛ Reducing Bush: Plastic
- ☛ Bearing 6202



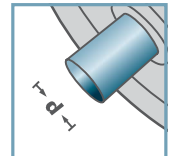
MTR



MTR-40.15



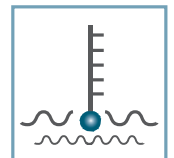
D [mm]
50 - 80



d [mm]
15



C [daN]
120 - 150



T [°C]
0° - 80°



EP 2



Carton [pcs.]

ø50: 100
ø60: 150
ø80: 100

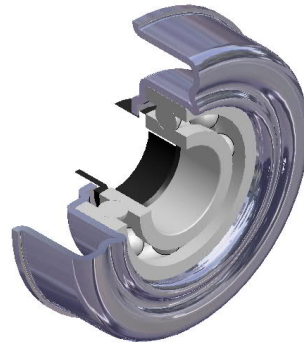
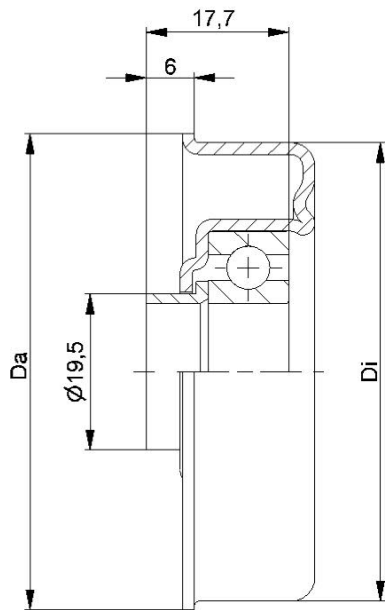
MTR-40.15			
Type	Di ±0.1	Da ±0.2	Load Rating C [daN]
MTR-50x1,5.40.15	47,3	49,5	120
MTR-50x2,0.40.15	46,3	49,5	120
MTR-60x1,5.40.15	57,3	59,5	150
MTR-60x2,0.40.15	56,3	59,5	150
MTR-60x3,0.40.15	54,3	59,5	150
MTR-80x2,0.40.15	76,5	79,5	150

Other dimensions on request!

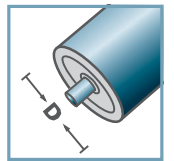
- ☛ Housing: Steel, Zinc plated
- ☛ Distance Bush: Plastic
- ☛ Bearing 6202



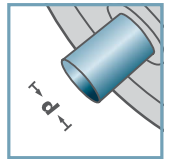
MTR



MTR-45.17



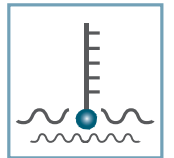
D [mm]
50, 80



d [mm]
17



C [daN]
120 - 150



T [°C]
0° - 80°



EP 2



Carton [pcs.]

ø50: 100
ø60: 150
ø80: 100

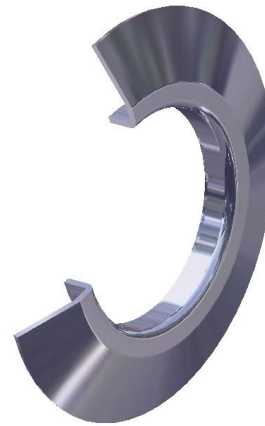
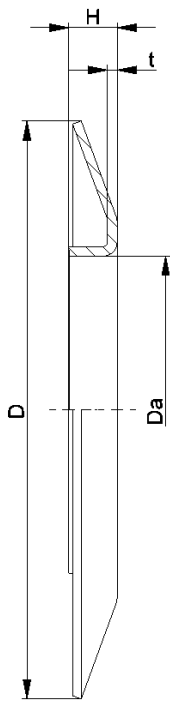
MTR-45.17			
Type	Di ±0.1	Da ±0.2	Load Rating C [daN]
MTR-50x1,5.45.17	47,3	49,5	120
MTR-60x2,0.45.17	56,3	59,5	150
MTR-60x3,0.45.17	54,3	59,5	150
MTR-80x2,0.45.17	76,5	79,5	150

Other dimensions on request!

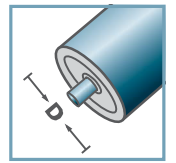
- Housing: Steel, Zinc plated
- Distance Bush: Plastic
- Bearing 6003



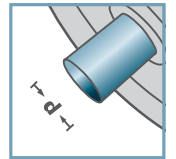
MTR



BS-



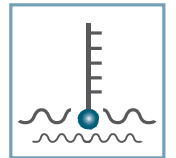
D [mm]
50 - 108



d [mm]
-



C [daN]
-



T [°C]
-



-



Carton [pcs.]
/

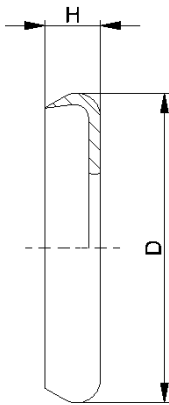
BS-				
Type	Da ±0.1	D -2	H ±0.5	t
BS-50-130	49,9	130	10	1,5
BS-60-130	59,9	130	10	1,5
BS-80-150	79,9	150	14	2,5
BS-89-150	88,9	150	14	2,5
BS-108-150	107,9	150	14	2,5

Other dimensions on request!

• Wheel Flange: Steel



MTR



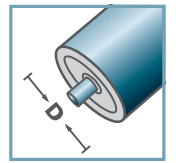
DK-MTR		
Type	D	H
DK-MTR-20	34	7
DK-MTR-30-2	39	7

Other dimensions on request!

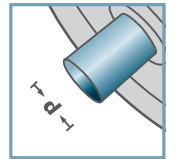
Seal Bonnet: Plastic



DK-MTR-



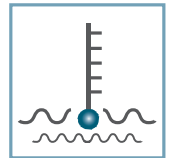
D [mm]
-



d [mm]
-



C [daN]
-



T [°C]
0° - 80°



-



Carton [pcs.]



MTR